

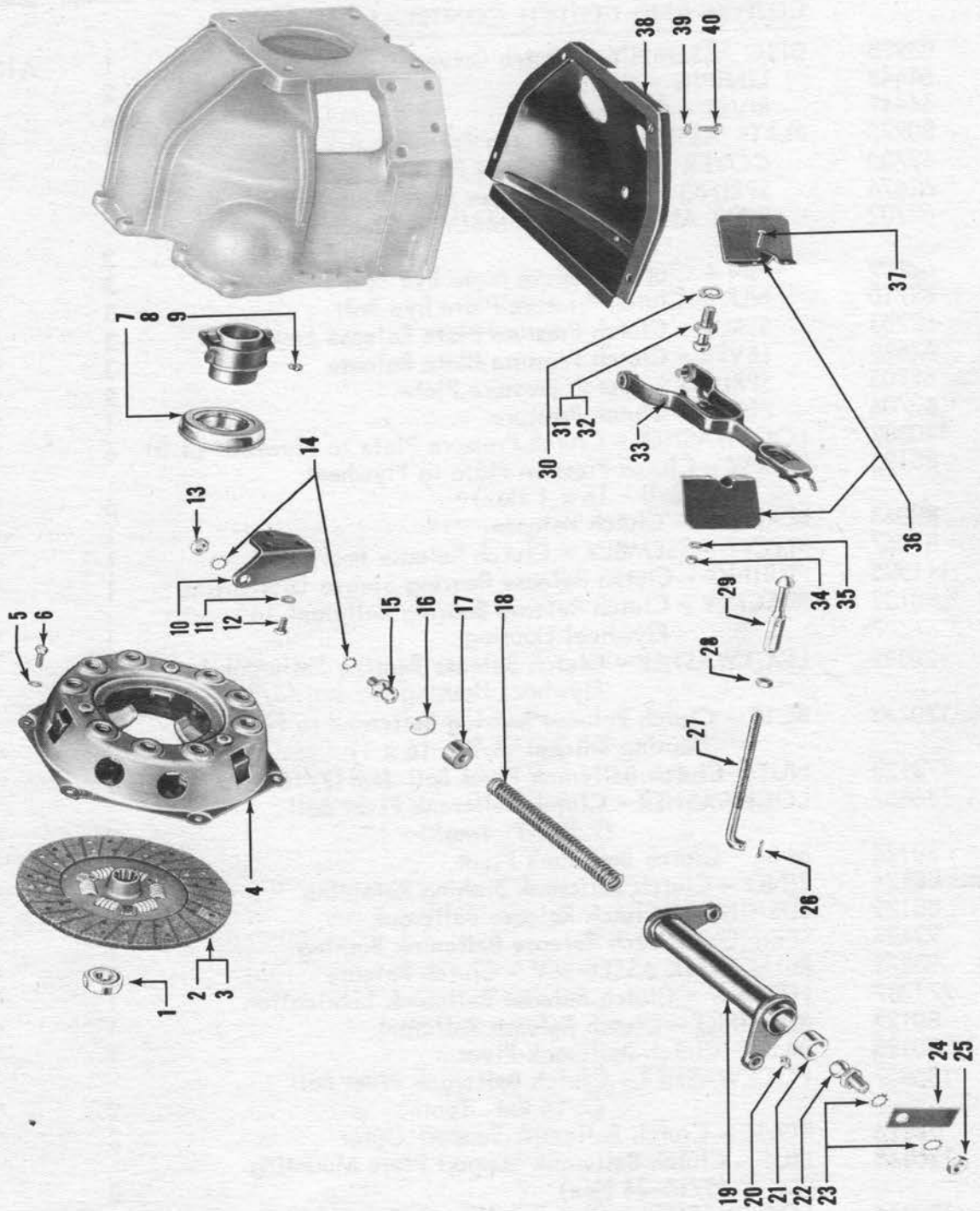
# CHECKER MOTORS CORPORATION—PARTS CATALOG

## MODELS A9 A9L A10 A10L

GROUP 11

CLUTCH

<u>Illus.</u> <u>Key</u>	<u>Part</u> <u>No.</u>	<u>Description</u>	<u>Qty.</u> <u>Req'd.</u>	<u>Model</u>
<u>CLUTCH PEDAL</u>				
	93982	PEDAL ASSEMBLY - Clutch	1	ALL
	94429	BEARING - Clutch and Brake Pedal	2	"
	94431	COVER - Clutch Pedal Pad	1	"
	94435	SHAFT - Brake and Clutch Pedal	1	"
	120382	LOCKWASHER - Brake and Clutch Pedal Shaft (3/8)	1	"
	120369	NUT - Brake and Clutch Pedal Shaft (3/8-24)	1	"
	120396	PLAINWASHER - Brake and Clutch Pedal Shaft (17/32 I.D. x 1-1/6 O.D.)	1	"
	103385	COTTER PIN - Brake and Clutch Pedal Shaft (1/8 x 1)	1	"
	92430	ROD - Clutch Pedal to Bellcrank	1	"
	144254	CLEVIS - Clutch Pedal to Bellcrank Rod (3/8)	1	"
	124925	NUT - Clutch Pedal to Bellcrank Rod Jam (3/8 - 24 Hex)	1	"
	114785	CLEVIS PIN - Clutch Pedal to Bellcrank Rod (3/8)	1	"
	103373	COTTER PIN - Clutch Pedal to Bellcrank Rod (3/32 x 3/4)	1	"
	120393	PLAINWASHER - Bellcrank Rod to Bellcrank (11/32 I.D. x 11/16 O.D.)	1	"
	120394	PLAINWASHER - Bellcrank Rod to Bellcrank (13/32 I.D. x 13/16 O.D.)	1	"
	103373	COTTER PIN - Bellcrank Rod to Bellcrank (3/32 x 3/4)	1	"
	70636	HOOK - Clutch Pedal Return Spring	1	"
	70637	SPRING - Clutch Pedal Return	1	"
	94580	ANCHOR - Clutch Pedal Return Spring	1	"
	9404996	SCREW - Clutch Pedal Return Spring Anchor Mounting (5/16 - 18 x 1/2)	1	"
	70196	BOLT - Clutch Pedal Spring Adjusting	1	"
	120376	NUT - Clutch Pedal Return Spring Adjusting (5/16 - 18 Hex)	1	"
	124824	NUT - Clutch Pedal Return Spring Adjusting Jam (5/16 - 18 Hex)	1	"
	123798	BOLT - Clutch Pedal Stop (5/16-24 x 1-3/4 Hex Hd.)	1	"
	120368	NUT - Clutch Pedal Stop (5/16 - 24 Hex)	1	"
<u>CLUTCH AND CLUTCH CONTROLS</u>				
31-1	80041	BEARING - Clutch Pilot	1	ALL
31-2	81126	DISC ASSEMBLY - Clutch Driven	1	A9-A9L
	62675	LINING - Clutch .140	1	" "
	63666	LINING - Clutch .125 Forward Side	1	" "
	62708	RIVET - Clutch Lining	18	" "
	62677	RIVET - Clutch Lining	18	" "
	63677	SPRING - Clutch Disc Cushion	6	" "



CLUTCH AND CLUTCH CONTROLS  
ILLUSTRATION NO. 31

# CHECKER MOTORS CORPORATION—PARTS CATALOG

## MODELS A9 A9L A10 A10L

### GROUP 11

### CLUTCH

Illus. Key	Part No.	Description	Qty. Req'd.	Model
<u>CLUTCH AND CLUTCH CONTROLS (Continued)</u>				
31-3	93998	DISC ASSEMBLY - Clutch Driven	1	A10-A10L
	64448	LINING - Clutch	2	" "
	64449	RIVET - Clutch Lining	36	" "
31-4	80225	PLATE ASSEMBLY - Clutch Pressure	1	ALL
	62700	COVER - Clutch Pressure Plate	1	"
	62676	SPRING - Clutch Pressure Plate Anti-Rattle	3	"
	62702	BOLT AND NUT ASSEMBLY - Clutch Pressure Plate Eye	3	"
	62709	PIN - Clutch Pressure Plate Eye Bolt	3	"
	62710	NUT - Clutch Pressure Plate Eye Bolt	3	"
	62703	STRUT - Clutch Pressure Plate Release Lever	3	"
	62699	LEVER - Clutch Pressure Plate Release	3	"
	62705	SPRING - Clutch Pressure Plate	9	"
	62706	PLATE - Clutch Pressure	1	"
31-5	120382	LOCKWASHER - Clutch Pressure Plate to Flywheel (3/8)	6	"
31-6	80193	SCREW - Clutch Pressure Plate to Flywheel (3/8 - 16 x 1 Hex)	6	"
31-7	80043	BEARING - Clutch Release	1	"
31-8	81267	SLEEVE ASSEMBLY - Clutch Release Bearing	1	"
31-9	111595	FITTING - Clutch Release Bearing Sleeve Lubrication	1	"
31-10	80132	BRACKET - Clutch Release Bearing Bellcrank to Flywheel Housing	1	"
31-11	120382	LOCKWASHER - Clutch Release Bearing Bellcrank to Flywheel Housing Bracket (3/8)	3	"
31-12	120233	BOLT - Clutch Release Bearing Bellcrank to Flywheel Housing Bracket (3/8 - 16 x 1)	3	"
31-13	272123	NUT - Clutch Bellcrank Pivot Ball Jam (7/16 - 20 Hex)	1	"
31-14	136857	LOCKWASHER - Clutch Bellcrank Pivot Ball (7/8 Ext. Tooth)	2	"
31-15	80125	BALL - Clutch Bellcrank Pivot	1	"
31-16	80124	RING - Clutch Bellcrank Bushing Retaining	1	"
31-17	80129	BUSHING - Clutch Release Bellcrank	1	"
31-18	92428	SPRING - Clutch Release Bellcrank Bushing	1	"
31-19	93871	BELLCRANK ASSEMBLY - Clutch Release	1	"
31-20	271287	FITTING - Clutch Release Bellcrank Lubrication	1	"
31-21	80129	BUSHING - Clutch Release Bellcrank	1	"
31-22	80125	BALL - Clutch Bellcrank Pivot	1	"
31-23	136857	LOCKWASHER - Clutch Bellcrank Pivot Ball (7/16 Ext. Tooth)	2	"
31-24	94316	PLATE - Clutch Bellcrank Support Outer	2	"
	120368	NUT - Clutch Bellcrank Support Plate Mounting (5/16-24 Hex)	2	"
	120214	LOCKWASHER - Clutch Bellcrank Support Plate Mounting (5/16)	2	"

# CHECKER MOTORS CORPORATION—PARTS CATALOG

## MODELS A9 A9L A10 A10L

GROUP 11

CLUTCH

Illus. Key	Part No.	Description	Qty. Req'd.	Model
<u>CLUTCH AND CLUTCH CONTROLS (Continued)</u>				
	121661	BOLT - Clutch Bellcrank Support Plate Mounting (5/16 - 24 x 1 Hex Hd.)	2	ALL
31-25	272123	NUT - Clutch Bellcrank Pivot Ball Jam (7/16 - 20 Hex)	1	"
31-26	103373	COTTER PIN - Clutch Bellcrank to Yoke Rod (3/32 x 3/4)	1	"
31-27	94299	ROD - Clutch Bellcrank to Yoke	1	"
31-28	124925	NUT - Clutch Bellcrank to Yoke Rod Adjusting Jam (3/8 - 24)	1	"
31-29	94199	NUT - Clutch Bellcrank to Yoke Rod Adjusting	1	"
31-30	120384	LOCKWASHER - Clutch Release Yoke Ball Stud (1/2)	1	A9L-A10L
31-31	70054	STUD - Clutch Release Yoke	1	A9-A10
31-32	94304	STUD - Clutch Release Yoke	1	ALL
31-33	80288	YOKE ASSEMBLY - Clutch Release	1	"
	81601	FITTING - Clutch Release Yoke Lubrication	1	"
31-34	120614	NUT - Clutch Release Yoke to Stone Shield (#10-32 Hex)	2	"
31-35	120217	LOCKWASHER - Clutch Release Yoke to Stone Shield (#10)	2	"
31-36	81206	SHIELD - Clutch Release Yoke Stone	2	"
31-37	132911	SCREW - Clutch Release Yoke to Stone Shield (#10 - 32 x 5/8 Rd. Hd.)	2	"
31-38	92949	PAN ASSEMBLY - Flywheel and Clutch Housing	1	"
31-39	120380	LOCKWASHER - Flywheel and Clutch Housing Pan Mounting (1/4)	4	"
31-40	120706	BOLT - Flywheel and Clutch Housing Pan Mounting (1/4 - 20 x 1/2 Hex Hd.)	4	"