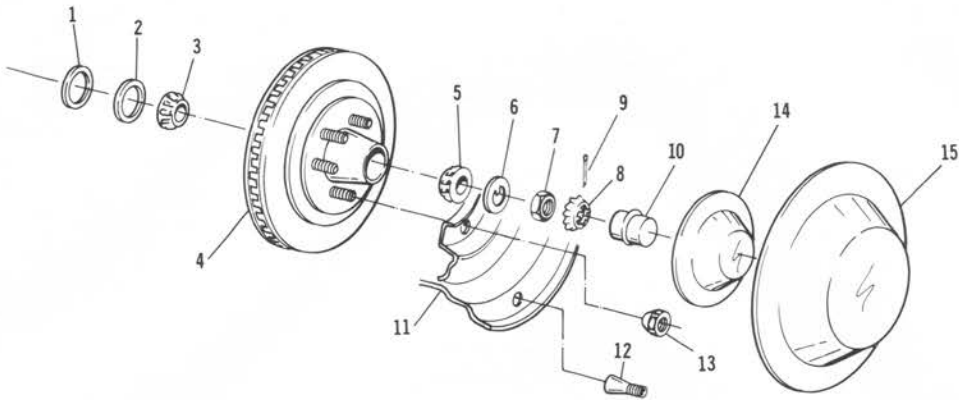
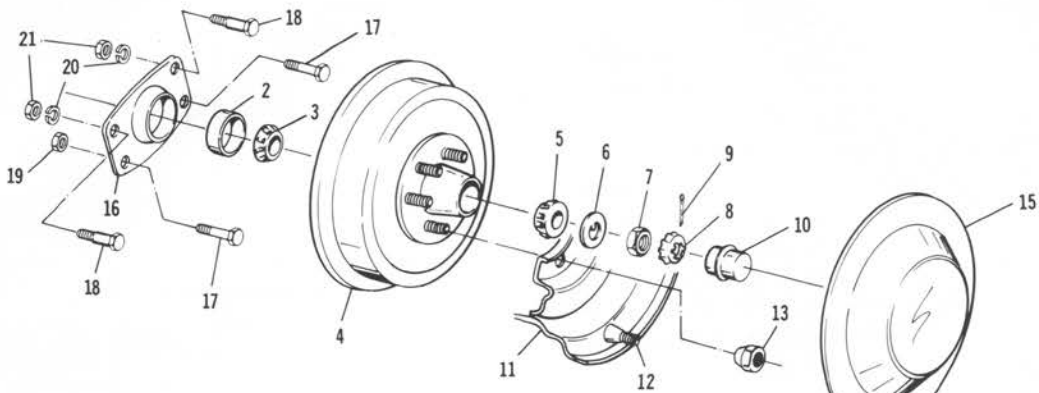


HUB-DRUM-ROTOR-WHEEL

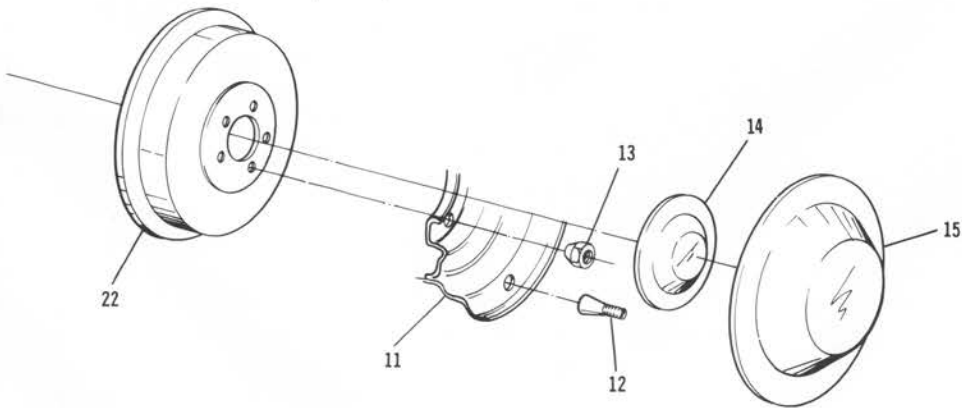
ILLUS. KEY	PART NO.	DESCRIPTION	ALL MODELS	GROUP 6								
				1	2	3	4	5	6	7		
				A 11	A 11 E	A 12	A 12 E	A 12 W	A 12 W 6	A 12 W 8		
FRONT AND REAR HUBS, DRUMS, ROTORS, WHEELS AND COVERS												
TAXICAB-MARATHON-AEROBUS												
14C-1	704459	GASKET-Grease Retaining-Frt. Wheel Brgs.		2	2	2	2	2				
14C-2	703752	SEAL-Front Wheel Grease		2	2	2	2	2				
	702595	SEAL-Front Wheel Grease										2
14C-3	96174	CONE-Front Wheel Bearing-Inner	2									
14C-4	703859	HUB & ROTOR ASSEMBLY-Front (Disc. Brake)		2	2	2	2	2				
	04285	CUP-Front Hub Bearing-Inner		2	2	2	2	2				
	04287	CUP-Front Hub Bearing-Outer		2	2	2	2	2				
	05290	STUD-Front Hub & Rotor		10	10	10	10	10				
	701450	HUB & DRUM-Front (Drum Brake)										2
	04285	CUP-Front Hub Bearing-Inner										2
	04287	CUP-Front Hub Bearing-Outer										2
	05062	STUD-Front Hub & Drum										10
14C-5	96175	CONE-Front Wheel Bearing (Outer)	2									
14C-6	70285	WASHER-Steering Knuckle Spindle	2									
14C-7	98120	NUT-Steering Knuckle Spindle	2									
14C-8	98123	RETAINER-Steering Knuckle Nut Locking	2									
14C-9	137185	COTTER PIN-(1/8 x 1)	2									
14C-10	704896	CAP-Front Hub Grease		2	2	2	2	2				
	96182	CAP-Front Hub Grease										2
14C-11	705001	WHEEL ASSEMBLY		5	5	5	5	5				
	701447	WHEEL ASSEMBLY										5
14C-12	701440	VALVE-Tire & Wheel		5	5	5	5	5				
	95050	VALVE-Tire & Wheel										5
14C-13	704925	NUT-Wheel Attaching		20	20	20	20	20				
	96186	NUT-Wheel Attaching										20
14C-14	702669	HUB CAP-Wheel		4	4	4	4	4				
14C-15	702988	WHEEL COVER-Wheel	4									
14C-16	702594	RETAINER-Front Wheel Grease										2
14C-17	181707	BOLT-(1/2-20 x 2-1/4 Hex.)										4
14C-18	181639	BOLT-(3/8 - 24 x 1-1/4 Hex.)										4
14C-19	626852	NUT-(1/2 - 20 Hex. Crown Lock)										4
14C-20	120382	LOCKWASHER-(3/8 Med. Spring)										4
14C-21	120369	NUT-(3/8 x 24 Hex.)										4
14C-22	703723	DRUM ASSEMBLY-Rear Wheel		2	2	2	2	2				
	701448	DRUM ASSEMBLY-Rear Wheel										2
	03559	STUD-Wheel Attaching										10



FRONT HUBS, DRUMS, ROTORS, WHEELS AND COVERS (TAXICAB - MARATHON)



FRONT HUBS, DRUMS, WHEELS AND COVERS (AEROBUS)



REAR DRUMS, WHEELS AND COVERS (TAXICAB-MARATHON-AEROBUS)
W/FLANGED AXLE

FRONT AND REAR HUBS, DRUMS, ROTORS, WHEELS AND COVERS
ILLUSTRATION NO. 14C