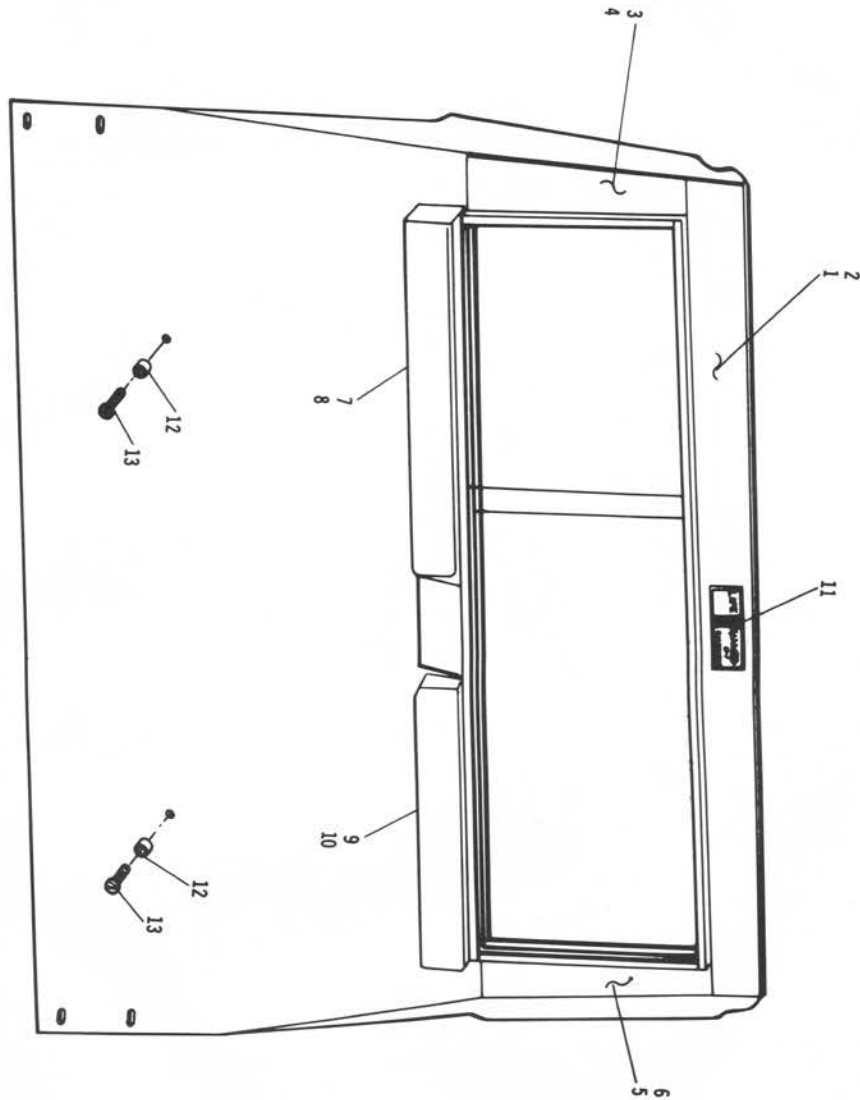


PARTITION AND MOUNTING-LIFEGUARD
ILLUSTRATION NO. 74



TRIM-LIFEGUARD PARTITION
ILLUSTRATION NO. 75

PARTITION

ILLUS. KEY	PART NO.	DESCRIPTION	ALL MODELS	GROUP 36							
				1	2	3	4	5	6	7	
				A 11	A 11 E	A 12	A 12 E	A 12 W	A 12 W 6	A 12 W 8	
PARTITION AND MOUNTING-LIFEGUARD TAXICAB											
74-1	647315	PARTITION ASM.-Lifeguard		1	1						
74-2	626865	STUD-(5/16-18 x 3/4)		10	10						
74-3	646330	CHANNEL-Lexan Lower		1	1						
74-4	642898	PANEL-Fare Box Guard		1	1						
74-5	626642	RIVET-(3/16 Dia. BS Pop)		2	2						
74-6	646343	BRACKET-Lexan Open Stop		1	1						
74-7	163158	SCREW-(#8 x 3/8) Pan Hd.		3	3						
74-8	647658	CHANNEL ASM.-Upr.		1	1						
74-9	647660	CHANNEL ASM.-Side-R.H.		1	1						
74-10	646338	FILLER-(3/8 x 1/2 x 19-5/8)		1	1						
74-11	646481	LEXAN-Lifeguard Partition L.H.		1	1						
74-12	647659	LEXAN & HANDLE ASM.		1	1						
74-13	138485	LOCKWASHER-(5/16 Ext. Tooth)		10	10						
74-14	120376	NUT-(5/16-18 Hex.)		1	1						
74-15	446621	NUT-(5/16-18 Stamped)		9	9						
74-16	646341	STRIKER-Partition Latch		1	1						
74-17	271172	NUT & EXT. LOCKWASHER ASM.-(1/4-20 Hex.)		12	12						
74-18	446620	NUT-(1/4-20 Stamped)		8	8						
74-19	647431	BOX & INSERT ASM.-Part. Fare		1	1						
74-20	636347	CLIP-Farebox Spring		1	1						
74-21	647435	PANEL ASM.-Lower Lifeguard L.H.		1	1						
74-22	647436	PANEL ASM.-Lower Lifeguard R.H.		1	1						
74-23	Mg-115	RUBBER CHANNEL-(1.584 Lin. Ft.)		2	2						
74-24	120392	WASHER-(9/32 ID x 5/8 OD)		4	4						
74-25	644300	BOLT-Seat Belt Anchor Long		2	2						
74-26	626448	JACK NUT-(1/4-20)		2	2						
74-27	626516	LOCKWASHER-(1/4 x .632 OD Int. Tooth)		2	2						
74-28	189129	SCREW-(1/4-20 x 5/8 Tr. Hd.)		2	2						
74-29	161895	SCREW-(#10 x 1/2 PHCR)		6	6						
74-30	646247	GRILLE-Lower Part. Pan		1	1						
74-31	646332	CHANNEL-Side		1	1						
TRIM-LIFEGUARD PARTITION TAXICAB											
75-1	647385	PAD ASM.-Part. Upr. L/G-Gray		1	1						
75-2	647386	PAD ASM.-Part. Upr. L/G-Red		1	1						
75-3	647397	PAD ASM.-Part. Side L/G-Gray L.H.		1	1						
75-4	647419	PAD ASM.-Part. Side L/G-Red L.H.		1	1						
75-5	647398	PAD ASM.-Part Side L/G-Gray R.H.		1	1						
75-6	647420	PAD ASM.-Part. Side L/G-Red R.H.		1	1						
75-7	647421	PAD ASM.-Part. Crash L/G-Gray L.H.		1	1						
75-8	647423	PAD ASM.-Part. Crash L/G-Red L.H.		1	1						
75-9	647422	PAD ASM.-Part. Crash L/G-Gray R.H.		1	1						
75-10	647424	PAD ASM.-Part. Crash L/G-Red R.H.		1	1						
75-11	646269	LABEL-L/G Part.		1	1						
75-12	632317	BUMPER-Door		2	2						
75-13	163162	SCREW-(#8 x 1/2 Pan. Hd.)		2	2						

